

Titan Software

TS9002



Overview

Titan is a software tool for programming and controlling a Challenger security system. Titan can be used onsite or it can be used remotely via modem or IP connection. Titan is typically used by installers with a laptop PC to program Challenger systems; but can also be used by small facilities to maintain and control their Challenger system.

Titan provides a simple and easy-to-use interface for programming the Challenger system. Titan also provides the ability for technicians to import and export system configurations to allow for off-site programming or system backups.

Service technicians can use Titan to connect remotely to Challenger panels to manage users, for routine maintenance and fault diagnosis. Remote connection capability helps to avoid on-site service calls.

Titan operators can use the optional integrated photo ID module to add cardholders' photographs to the Titan database and to create card layouts. TS0870P Smart Card Programmer integration allows for custom encoding of cards with unique encryption codes for high-security applications.

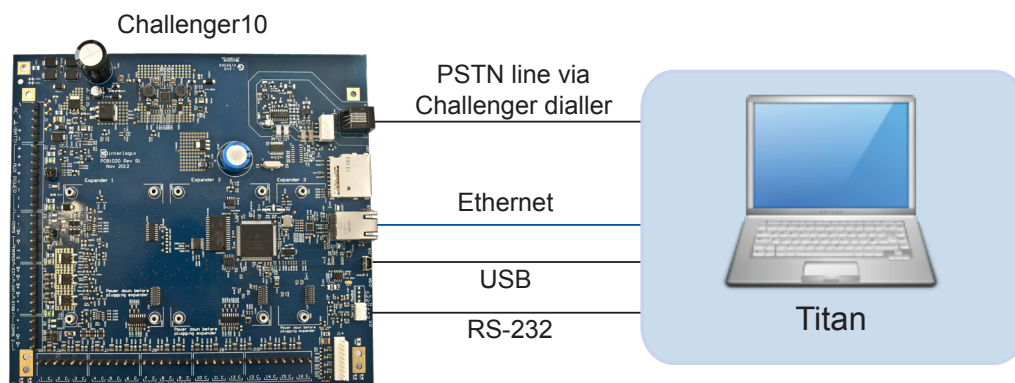
Features

- Supports Challenger V8 and Challenger10 control panels
- Flexible connectivity options, supporting USB, IP, modem or serial
- Fully integrated, remote firmware flash utility for Challenger10 panels
- Challenger V8 to Challenger10 migration tool included
- Full upload and download of panel configuration
- Back-up and archiving facilities for both database and history information
- By using serial and/or IP connections, you can connect to multiple Challenger panels simultaneously.
- The optional TS0870P Smart Card Programmer is used to create highly-secure, password-protected Smart Cards and Smart Fobs for access control or for pay-per-use credit applications.
- Supports multiple card reader technologies
- Live event log
- Up to 20 user-defined fields that can contain valuable customisable information on all system users
- Generates a wide range of reports
- Advanced user search facilities enable operators to quickly search the database for user records
- Runs on Windows based PCs
- Optional Photo ID package

Titan Software

TS9002

System diagram



Note: This is only an indication. Contact your security professional for advice on expanding your system

Specifications

Supported Devices	Challenger10 Challenger V8
Network and Communications	
Workstations (hosts/clients)	1
Database engine	Borland Paradox
Panel connection options	IP RS-232 serial USB Dialler
Features	
Photo ID Integration	Yes (optional license) - refer part number TS9006
Smart Card Programmer	Yes
Maximum Challenger panels	1,024 panels (maximum 16 simultaneous connections)
Maximum users/badges	65,535 users per Challenger panel with full memory expansion
Minimum PC Requirements	
RAM	512 MB
Monitor	1024 x 768 resolution, 16-bit colour
Network card	Required for IP connection
Serial port	Required for direct serial connection
USB port	Required for direct USB connection (Challenger10 only) or external modem
Hard disk space	40GB
Operating system	Microsoft Windows XP SP2/SP3 Microsoft Windows 7 (32 or 64 bit) Microsoft Windows 8 (64 bit)

Ordering information

TS9002	Titan base license including installation CD
TS9006	Titan Photo ID license

Specifications subject to change without notice.

© 2013 Interlogix.

All rights reserved.

Interlogix is part of UTC Climate, Controls & Security,
a unit of United Technologies Corporation.

Interlogix
National Sales Enquiries
1300 361 479

271-273 Wellington Road
Mulgrave Vic 3170
T +61 3 9239 1200
F +61 3 9239 1298



TS9002-DS-131011-7